

Burns and Ferrall Locations

AUCKLAND
 12 Reg Savory Place
 East Tamaki, Auckland

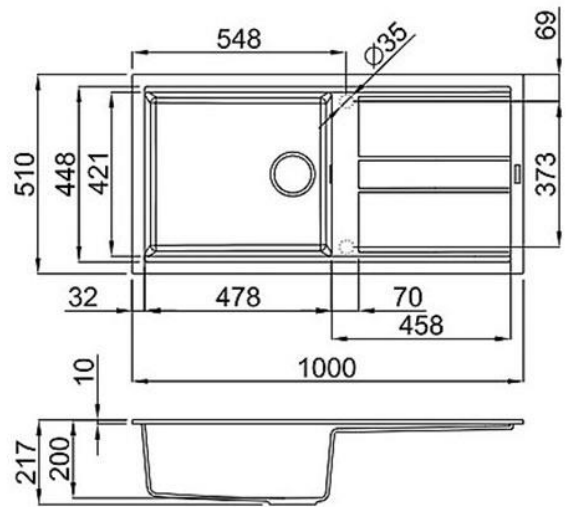
0800 697 465

WELLINGTON
 122-124 Tory Street
 Te Aro

HAMILTON
 60 Alexandra Street
 Central

CHRISTCHURCH
 345 St Asaph Street
 Christchurch

**Product Specification Sheet
 ELGB480-40**



Best Insert 480
 Elleci Best 478 Single Bowl With Drainer

| | |
|----------------------------------|-----------------------------|
| Models | Corner Radius |
| ELGB480-40 <i>Black</i> | 10mm |
| ELMB480-79 <i>Aluminium</i> | |
| Overall Dimensions W x D | Waste |
| 1000 x 510mm | 90mm |
| Bowl Dimensions W x D x H | Minimum Cabinet Size |
| 478 x 421 x 200mm | 600mm |
| Material & Finish | |
| G40 Granitek, Honed | |
| M79 Metaltek, Honed | |

Accessories Available (optional)



BFDDB
 DRAINING BASKET
 390 X 325mm

BFDRMB
 ROLLER MAT
 480 X 450mm

E&OE – it is recommended all measurements are taken directly from the product. Specification subject to change without notice, always consult the literature supplied with the product. Coloured images are indicative only.